



SURFACE MOUNT CHAIRS

INSTALLATION GUIDE & PARTS LIST



WARNING!

YOUR SAFETY DEPENDS ON ATTACHING THIS CHAIR ACCORDING TO THESE INCLUDED INSTRUCTIONS AND USING IT ACCORDING TO ITS DESIGNATED USE. FAILURE TO DO SO COULD RESULT IN SERIOUS INJURY TO YOU OR DAMAGE TO YOUR WALL. SAVE THIS MANUAL FOR FUTURE REFERENCE.

DESIGNATED USE:

FAILURE LOAD= 450 LB SEATED PERSON (feet resting on floor).

MAX. RECOMMENDED USAGE LOAD= 290 LB SEATED PERSON (feet resting on floor).

DO NOT STAND, DROP OR JUMP ON CHAIR AT ANY WEIGHT!



WALLCHAIR INC.
20 Ausable Beach Road
Peru, New York 12972
phone: (518) 834-9923
email: wallchair@charter.net
website: www.wallchair.com

PARTS LIST:

ITEM#1	FRAME	X1
ITEM#2	PANEL	X1
ITEM#3	ASSY A	X1
ITEM#5	MUSHROOM PLUGS	X4
ITEM#6	WOOD SCREW, STAINLESS #14X2"LONG, FLAT HD.	X2
ITEM#7	WOOD SCREW, STAINLESS #8X3"LONG, FLAT HD.	X1
ITEM#8	WOOD SCREW, STAINLESS #14X4"LONG, FLAT HD.	X3
ITEM#9	WOOD SCREW, STAINLESS #14X3" LONG, BUTTON HD.	X1
ITEM#10	WOOD SCREW, STAINLESS #14X3"LONG, FLAT HD.	X2

INSTALLATION INSTRUCTIONS: FOR WOOD STUDDED WALLS

(Contact us for help with other types of walls.)

1. LOCATE STUD.

BEWARE OF ANY PRE-EXISTING HOUSE WIRING
-RISK OF FIRE AND SHOCK!

BEWARE: DO NOT LOCATE CHAIR WHERE IT WILL PREVENT THE
OPENING OF A NEARBY DOOR WHEN THE CHAIR IS DOWN

1a. Locate a single, uncompromised, wooden 2x4 stud to which you will attach the chair.

This chair will be centered on this stud.

The locations of the right and left edges of the 2x4 must be known precisely using a stud finder and or exploring with finishing nails.

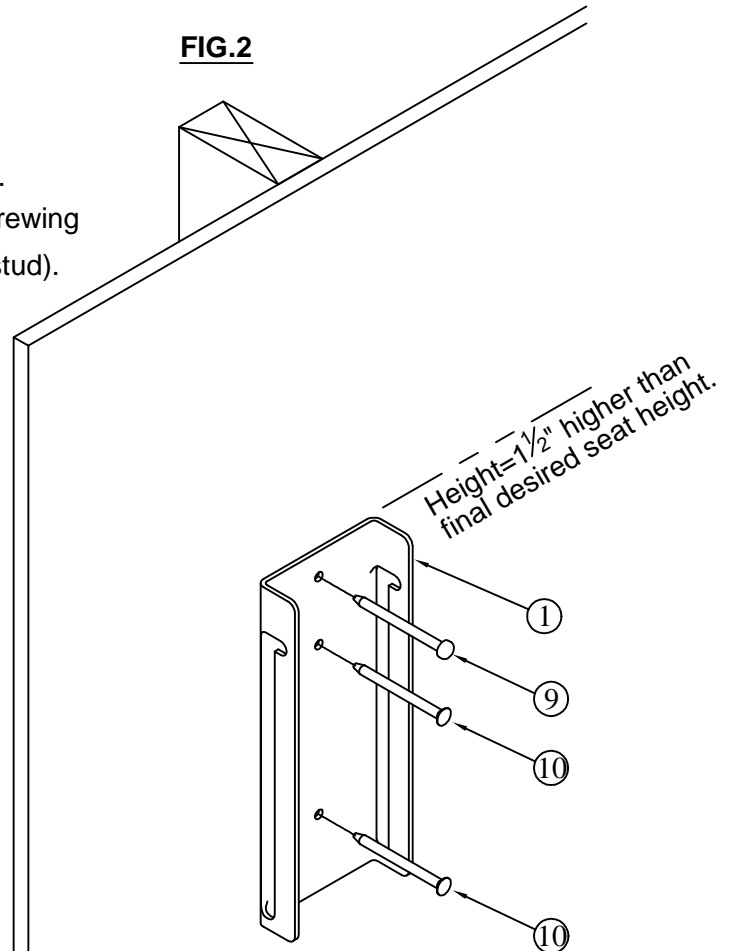
Note: Max. thickness for wall covering or plasterboard is 1/2".

2. ATTACH FRAME .

FIG.2

2a. Attach FRAME (ITEM#1) to wall stud with ITEMS#9 .

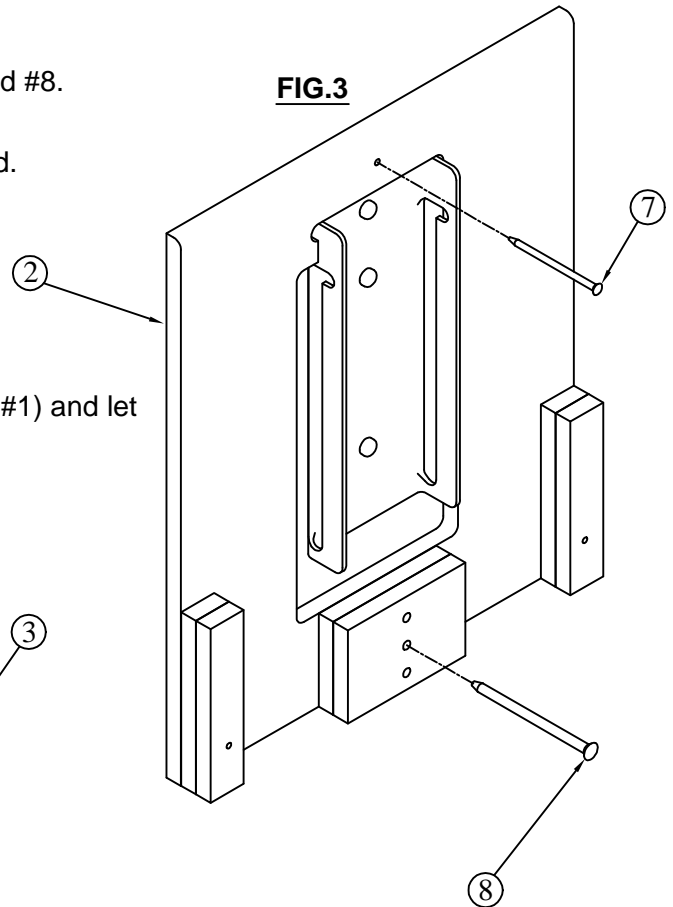
Level the top of ITEM#1 and ensure that you are screwing
into the center of the stud ($\frac{3}{4}$ " from the edge of the stud).



3. ATTACH PANEL .

FIG.3

- 3a.** Attach PANEL (ITEM#2) to wall stud with ITEMS#7 and #8.
Top of slot in PANEL rests on top of FRAME.
Ensure that you are screwing into the center of the stud.
($\frac{3}{4}$ " from the edge of the stud).



4. TILT IN ASSY A .

FIG.4

- 4a.** Tilt roller pins on ASSY A (ITEM#3) into FRAME (ITEM#1) and let them drop to the bottom of the slot.

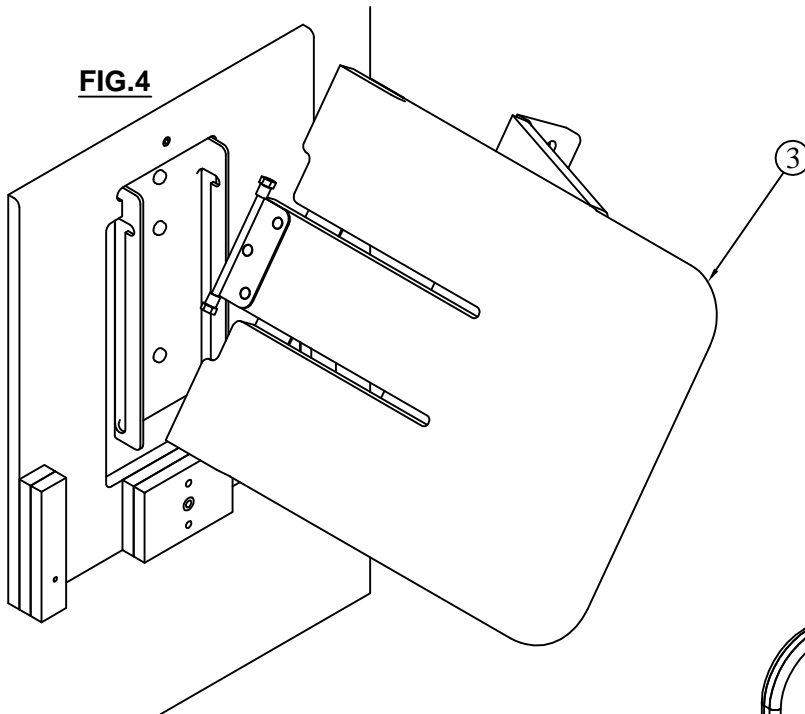
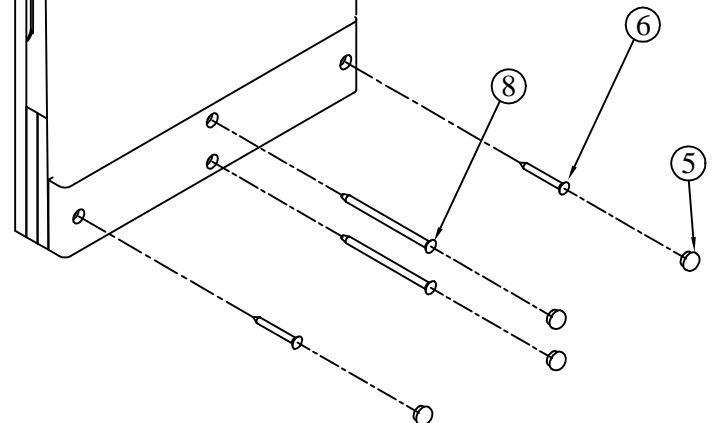


FIG.5

5. ATTACH ASSY A TO PANEL .

FIG.5

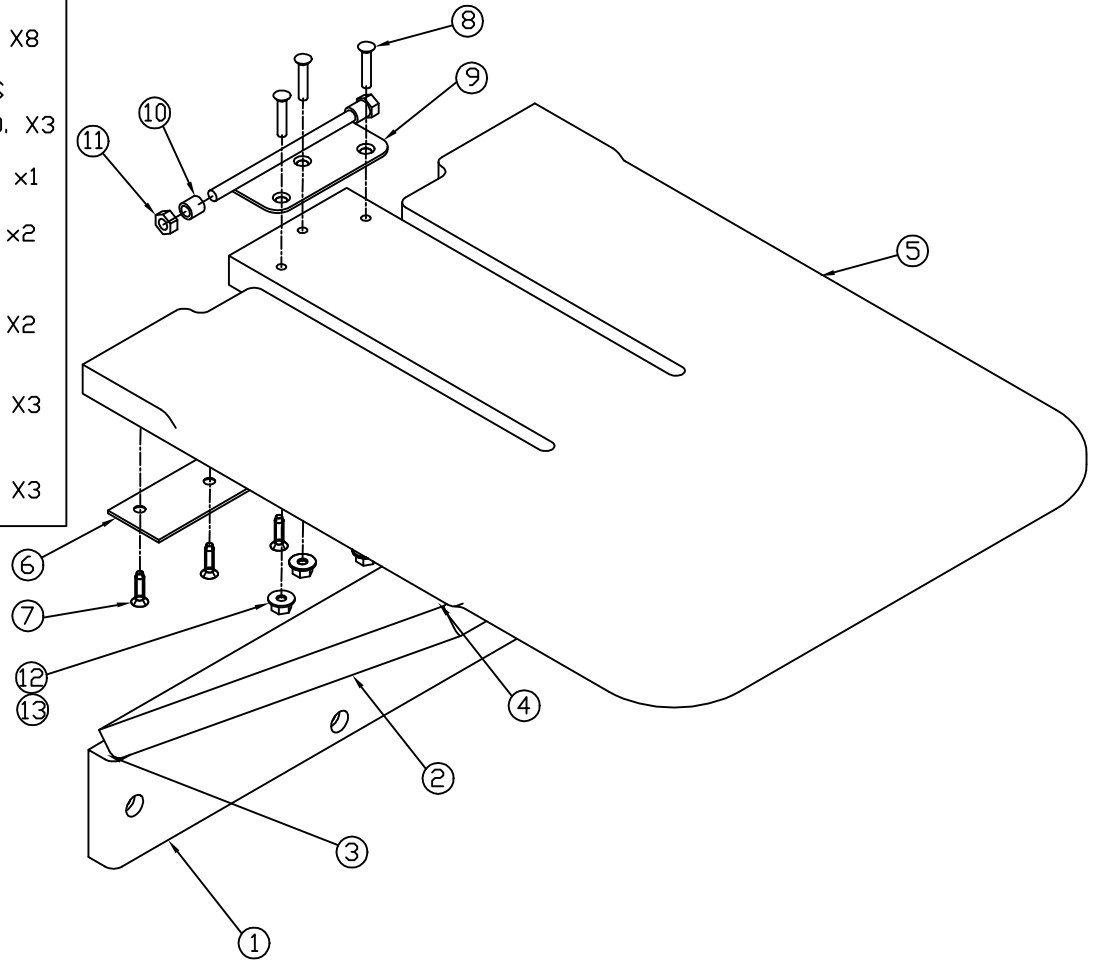
- 5a.** Line up holes at bottom of ASSY A and PANEL.
Attach ASSY A (ITEM#3) to PANEL (ITEM#2)
using 2x ITEMS#8 and 2x ITEMS#6.
Tap MUSHROOM PLUGS (ITEMS#5) over screw-
heads.
Cover PLUGS with cloth or cardboard while tapping
to avoid damaging them.
Sand PLUG stem if fit is too tight.



PARTS LIST:

ITEM#3	ASSY A	X1
#1	FOOT	X1
#2	LEG	x1
#3	HINGE, LOWER	x1
#4	HINGE UPPER	x1
#5	SEAT	x1
#6	BAR	x1
#7	WOOD SCREW, STAINLESS #10X $\frac{3}{4}$ " LONG, FLAT HD.	X8
#8	MACHINE SCREW, STAINLESS 10-32X $\frac{7}{8}$ " LONG, FLAT HD.	X3
#9	PIN PLATE	x1
#10	BUSHING	x2
#11	LOCKNUT, STAINLESS $\frac{1}{4}$ -28	X2
#12	LOCKNUT, STAINLESS 10-32	X3
#13	WASHER, STAINLESS #10	X3

EXPLODED VIEW OF ASSY A (ITEM#3)




-INSPECTION-

Periodically check to see that the FRAME (ITEM#1, PG2) is not loosening from the wall and that both roller pins are overlapping the slots in the FRAME.
The FRAME (ITEM#1, PG2) and the FOOT should not move when you sit down!



WARNING!

YOUR SAFETY DEPENDS ON ATTACHING THIS CHAIR ACCORDING TO THESE INCLUDED INSTRUCTIONS AND USING IT ACCORDING TO ITS DESIGNATED USE. FAILURE TO DO SO COULD RESULT IN SERIOUS INJURY TO YOU OR DAMAGE TO YOUR WALL.


 WALLCHAIR INC.
 20 Ausable Beach Road
 Peru, New York 12972
 phone: (518) 834-9923
 email: wallchair@charter.net
 website: www.wallchair.com

Please contact us if you have any questions about installation or installing onto other types of walls